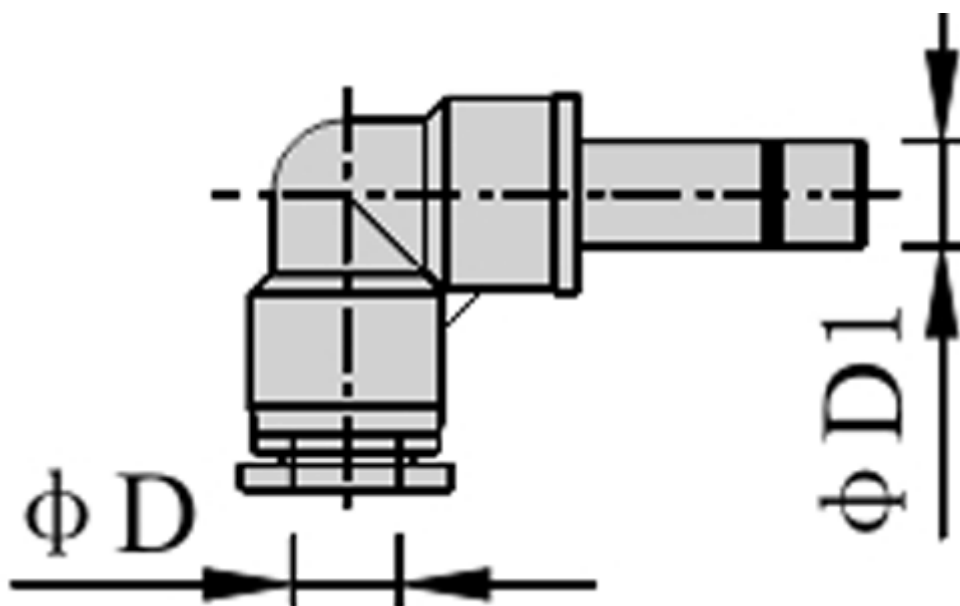


Article number: 58EPLJ8

Description: Fitting EPLJ8 angle reduction
tube diameter 8 - 8

Measures



D = 8

D1 = 8